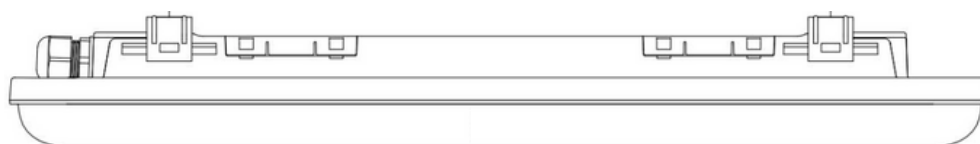
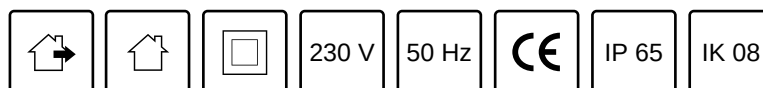


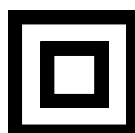
# HERMA

## Installation instructions

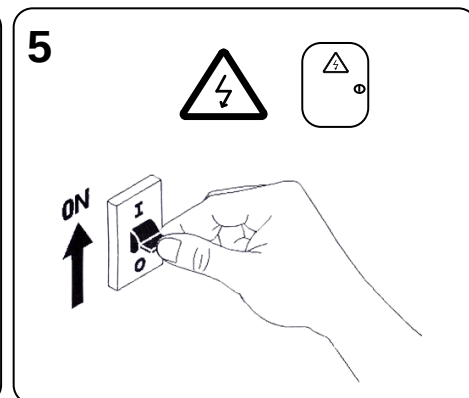
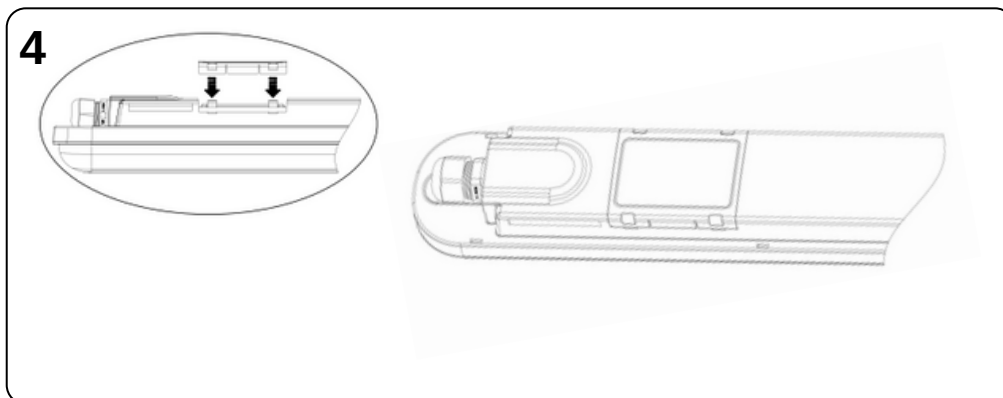
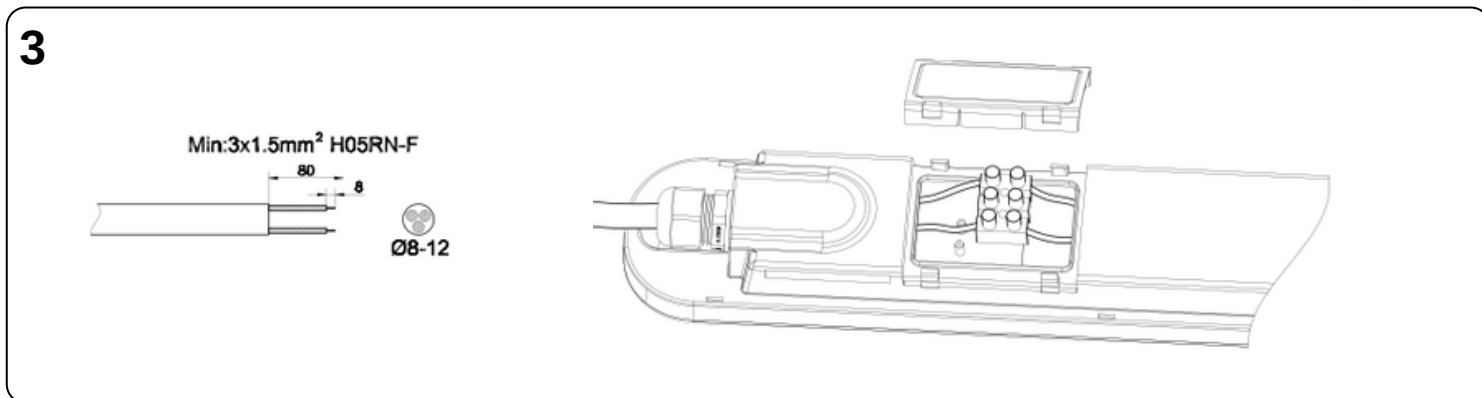
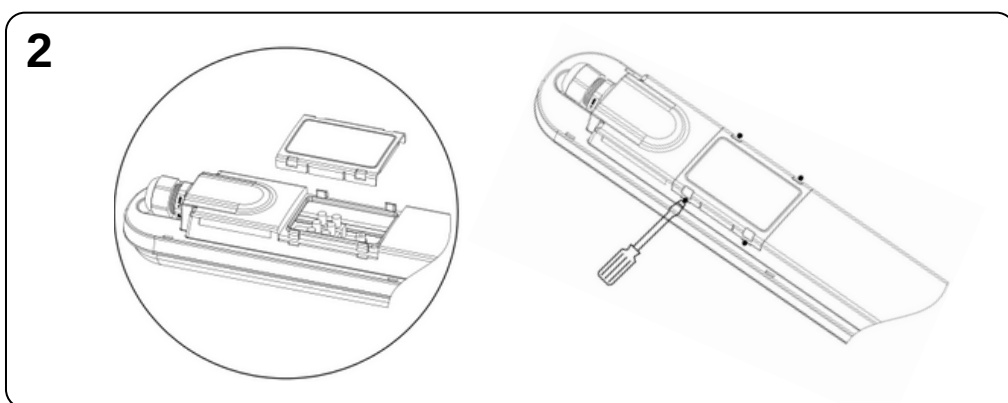
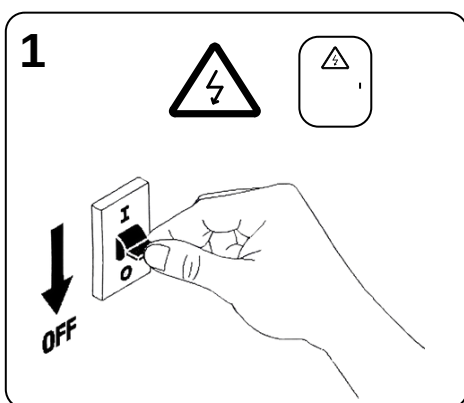
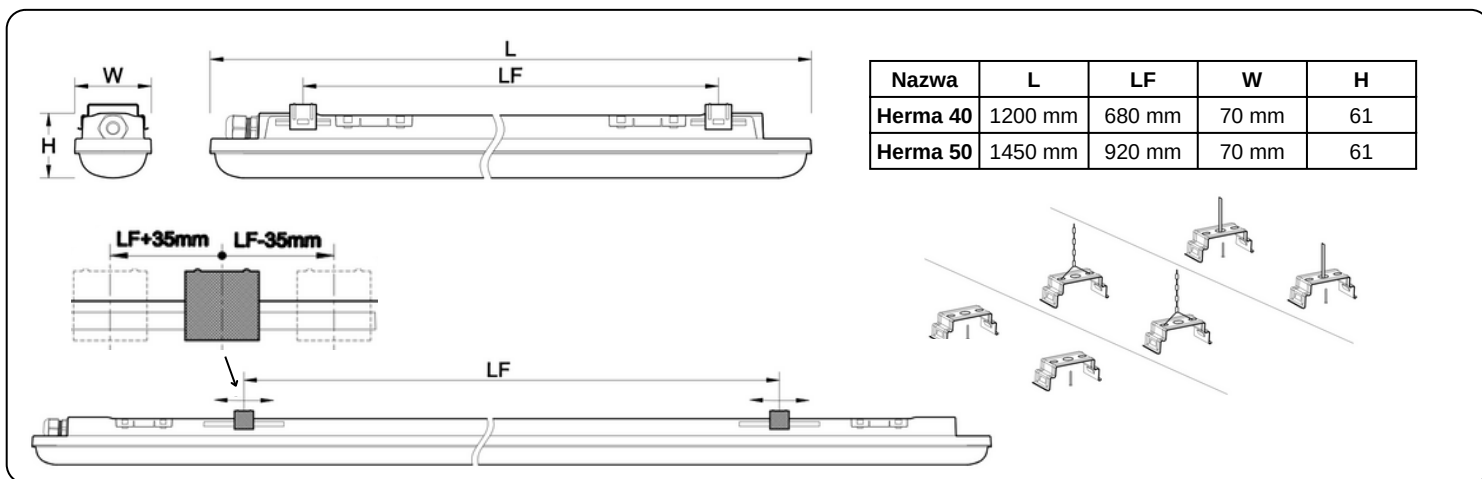


Model	Power	Input Voltage	Luminous flux	CCT	CRI
Herma 40	40 W	220~240V 50-60 Hz	5 100 lm	4000 K	>80
Herma 50	50 W	220~240V 50-60 Hz	7 000 lm	4000 K	>80

**Connection of luminaires to the network may only be performed by persons with appropriate qualifications!**



**RoHS**



1. Turn off the power.
2. Open the junction box.
3. Connect the power as described on the connector.
4. Close the junction box.
5. Turn on the power.