

AURE HT

PERFAND LED®

EXTREME WORKING CONDITIONS UP TO 80 ° C



AURE HT luminaires are designed to lighten production areas with increased operating temperatures. The housing is made of anodized aluminum, while the shutter is made of tempered glass and polycarbonate.

Exemplary applications:

Prison cells, police detention centers, correctional facilities, underground passages and others places exposed to destruction or theft.

Name	Power	Luminous Flux	Protection class	IP	IK	CRI	CCT	Luminous flux
AURE HT	20W	3600 lm	I	IP66	IK10	>70/>80	4000K	180 lm/W
AURE HT	40W	7200 lm	I	IP66	IK10	>70/>80	4000K	180 lm/W
AURE HT	60W	10800 lm	I	IP66	IK10	>70/>80	4000K	180 lm/W
AURE HT	80W	14400 lm	I	IP66	IK10	>70/>80	4000K	180 lm/W

** Frosted glass reduces luminous efficiency by approximately 8%.
At CRI> 80, the light efficiency is lower by approximately 5%.

Installation: suspended / surface mounted / adjustable

Supply voltage: 230V AC / 50-60Hz

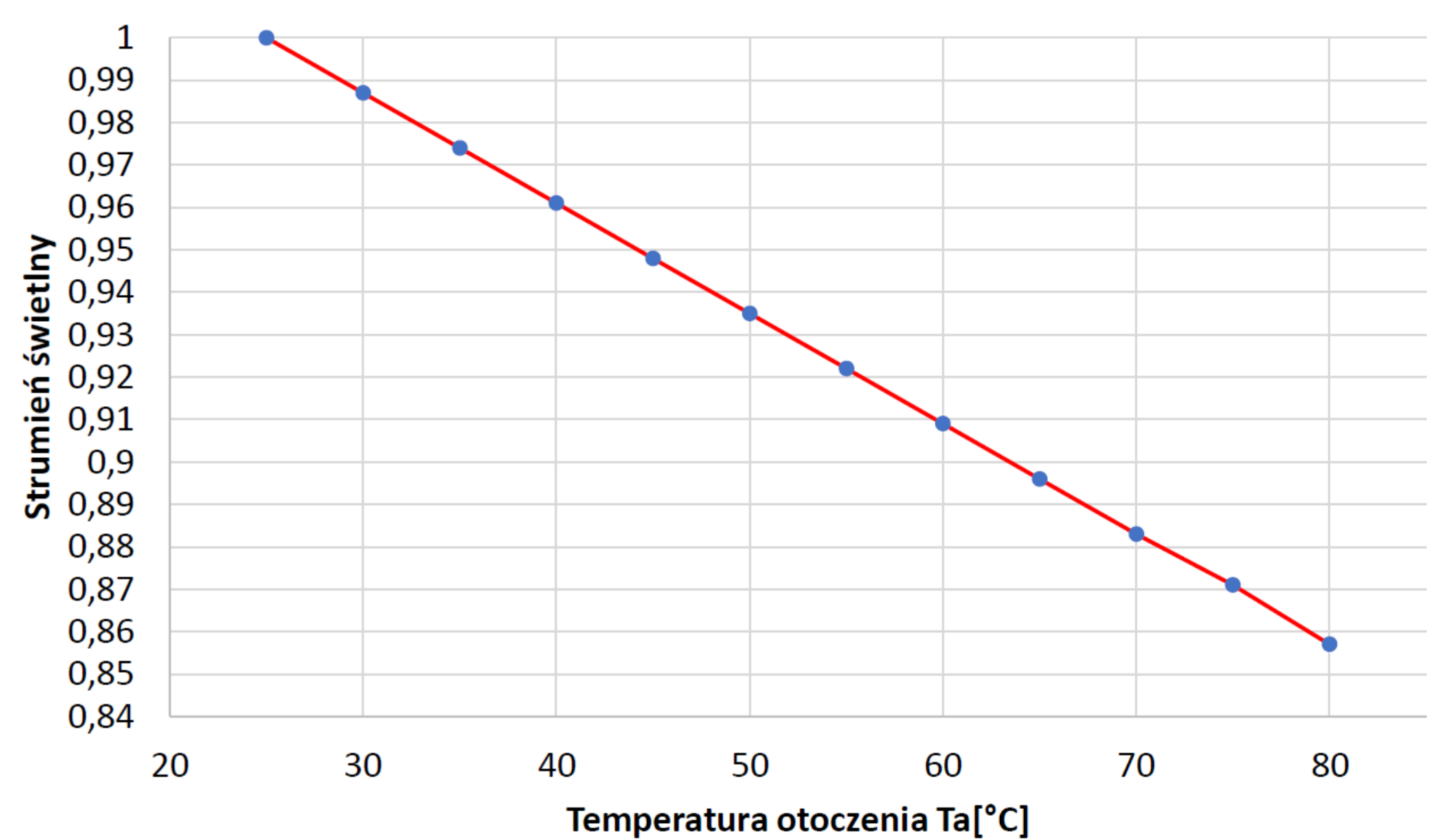
Ambient temperature range: -20°C...+80°C

Lifetime L90B10: 70 000h

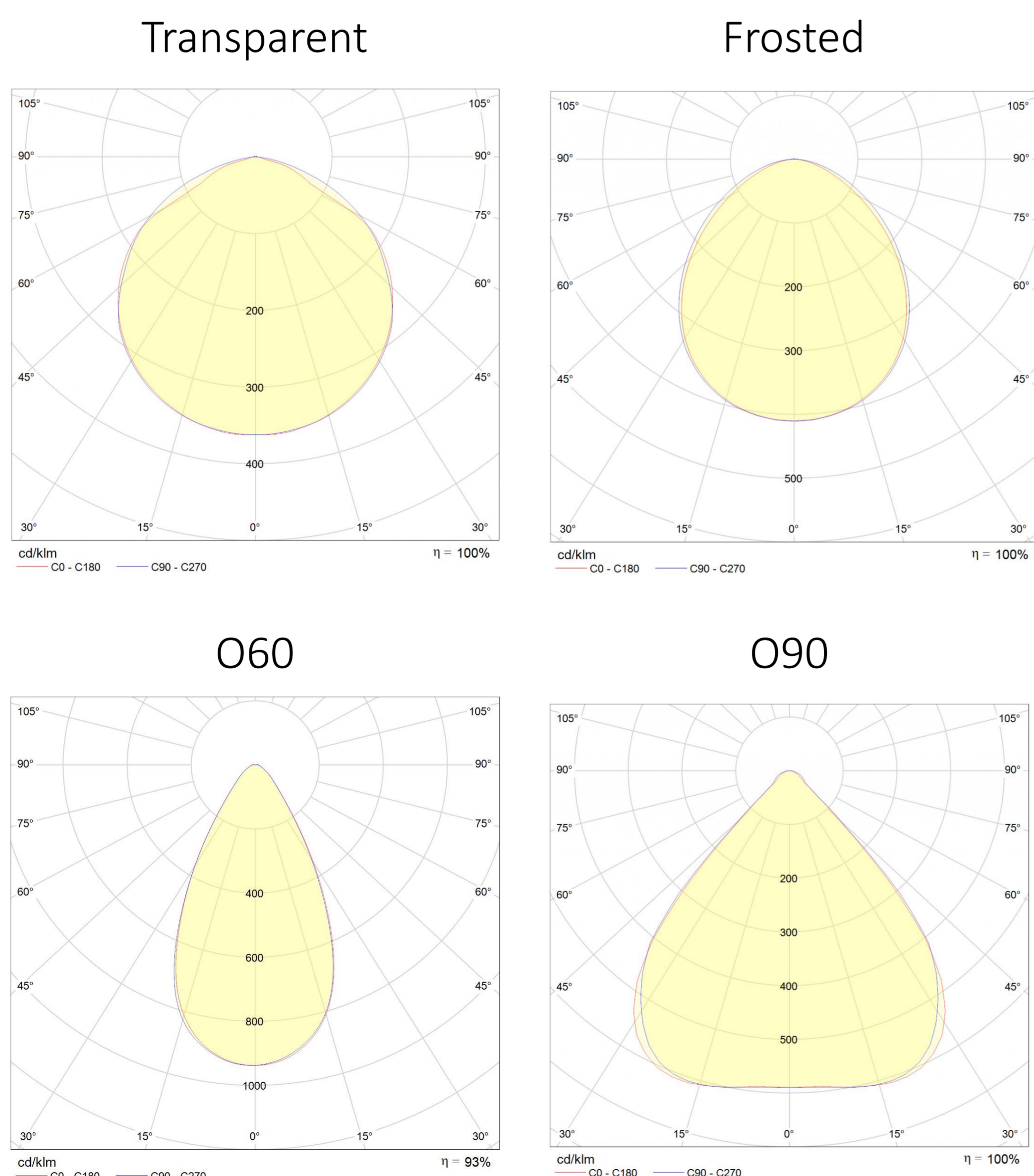
Power factor: >0,97

Housing: aluminium, tempered glass / PC

Warranty: 5 years

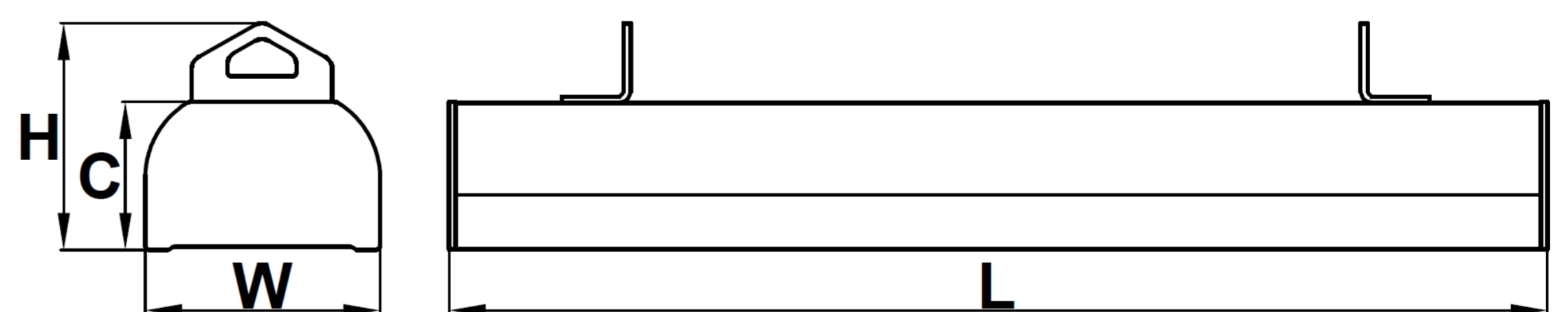


Light beam curves

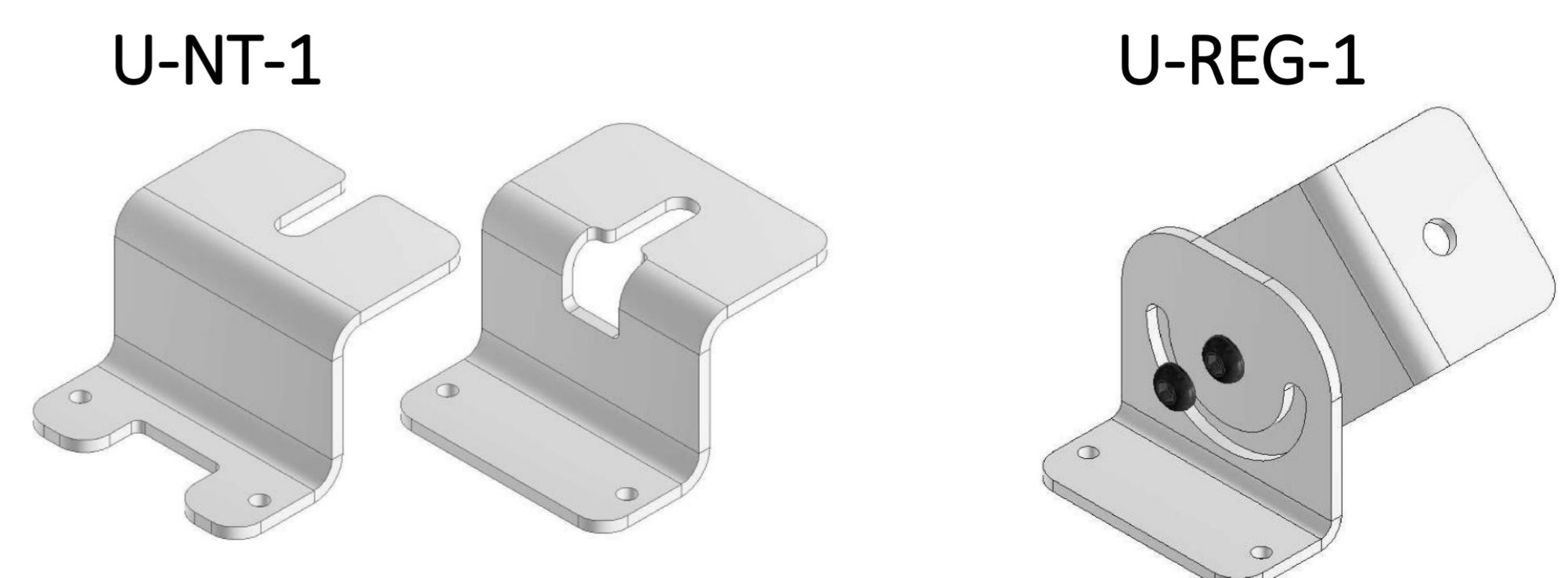


Dimensional drawing:

Name	External dimensions (mm)				Weight
	L	C	H	W	
AURE HT 20W	308	64	99	102	1,5 kg
AURE HT 40W	608	64	99	102	2,7 kg
AURE HT 60W	908	64	99	102	3,9 kg
AURE HT 80W	1208	64	99	102	5 kg



Accessories:



Luminous flux tolerance +/- 10%

Our products are constantly improved. We reserve the right to make technical changes to the fittings without prior publication of this information.